
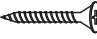






ASSEMBLY INSTRUCTIONS

ITEM NO.: I301-70G / 70R / 70E
TV STAND

Thank you for purchasing this quality product. Place all wooden parts on a clean and smooth surface such as a rug or carpet to avoid the parts from being scratched. Be sure to check all packing materials carefully for small parts may have come loose inside the carton during shipment, clarify and count all parts and compare with the parts list below. Do not tighten all screws / bolts until all completely assembled.

Parts List		
No.	Description	Q.ty
1	Top Panel	1PC
2	Bottom Panel	1PC
3	Side Panel	2PCS
4	Upright Panel	2PCS
5	Upper Rail	1PC
6	Bottom Rail	1PC
7	Support Leg	2PCS
8	Shelf	3PCS
9	Back Panel	3PCS
10	Left Rear Leg	1PC
11	Right Rear Leg	1PC
12	Left Front Leg	1PC
13	Right Front Leg	1PC
14	Front Upright Rail	2PCS

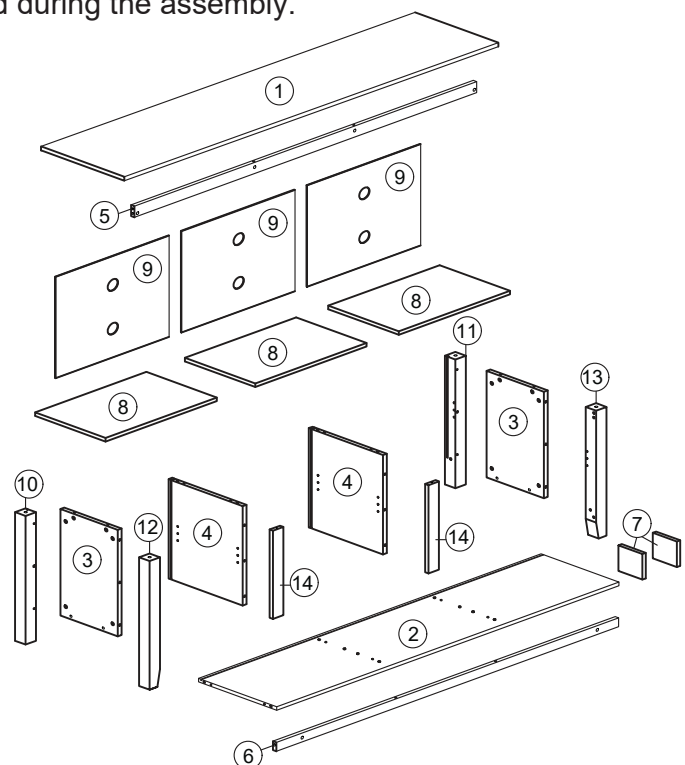
Hardware List				
No.	Description	Sketch	Size	Q.ty
A	Wood Dowels		M8x 30mm	26pcs
B	Screws		M4x 45mm	12pcs
C	Cam Lock		D15mm x T10mm	30pcs
D	Cam Bolts		M6 x 40mm	30pcs
E	Cam Hole Cover		D15mm	30pcs
F	Shelf Holder		D5mm x 16mm	12pcs

NOTE : YOU WILL ALSO NEED A SCREWDRIVER (NOT PROVIDED)

These parts are cumbersome and heavy. Therefore, two people are recommended in order to prevent personal injury and insure the parts are not damaged during the assembly.

Important Notes

- *Keep all hardware parts out of reach of children!
- *Tighten screws periodically! With the use of this product bolts and screws may become loose over time!
- *Don't attempt to modify parts!



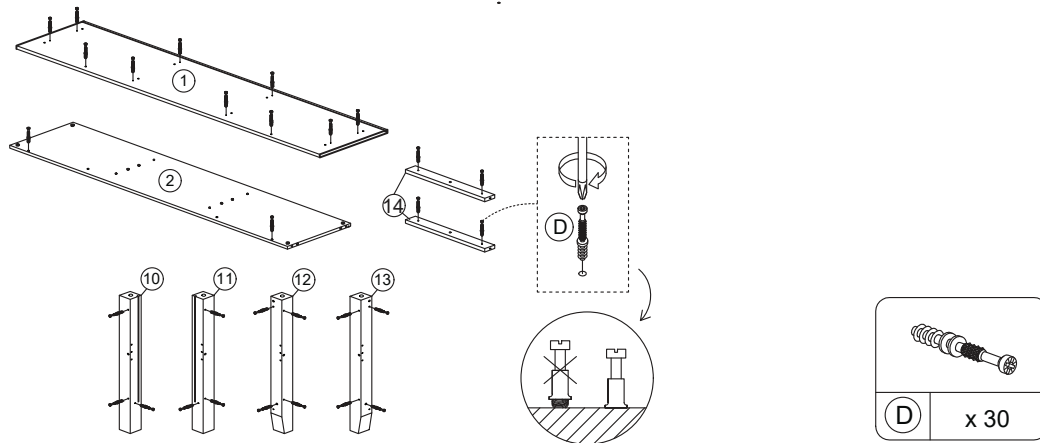
Cleaning instruction: Clean using soft cloth

Made in Malaysia

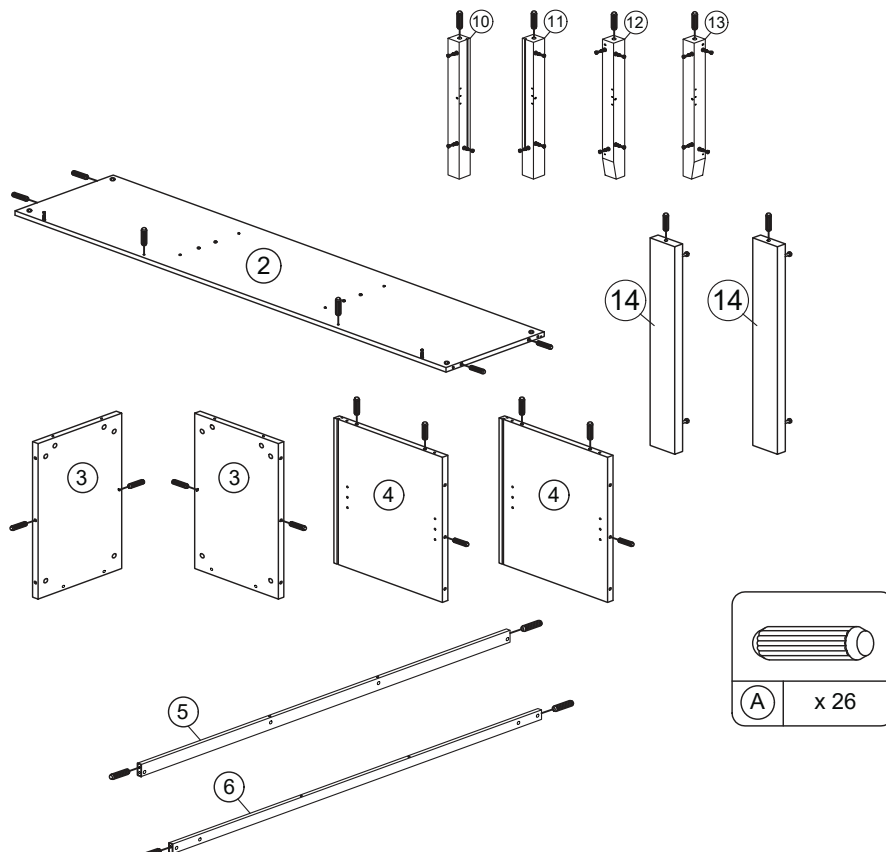
ASSEMBLY INSTRUCTIONS

ITEM NO.: I301-70G / 70R / 70E
TV STAND

STEP 1:



STEP 2:



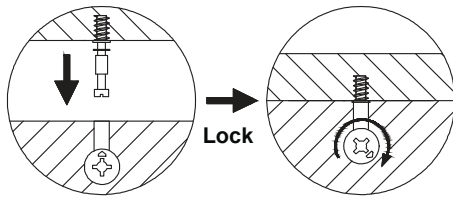
Cleaning instruction: Clean using soft cloth

Made in Malaysia

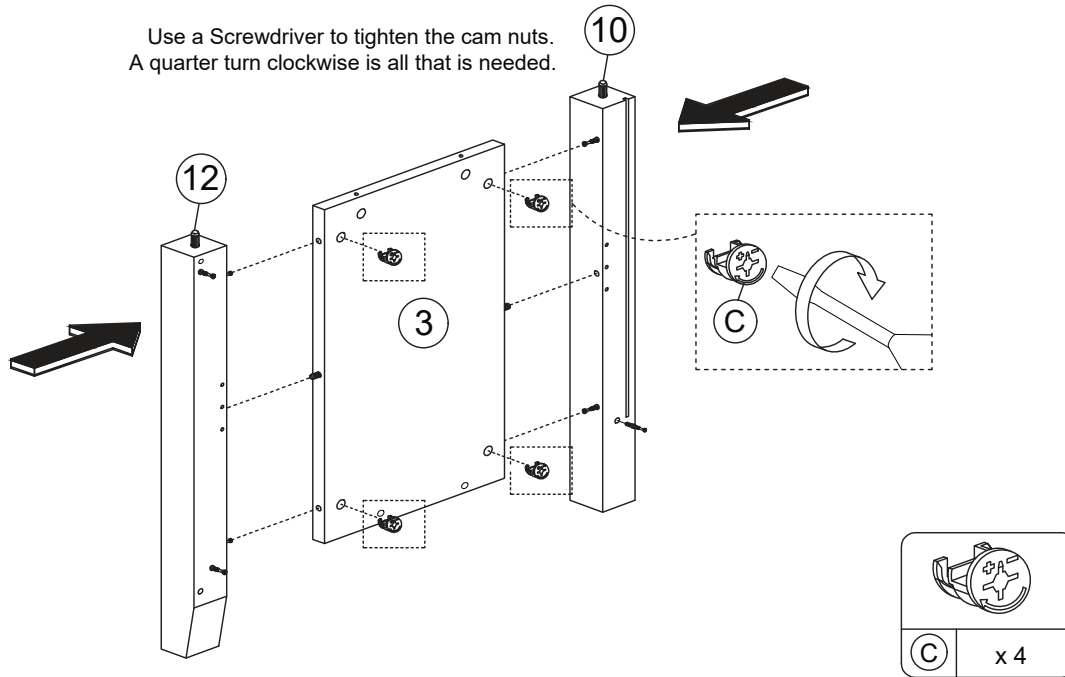
ASSEMBLY INSTRUCTIONS

ITEM NO.: I301-70G / 70R / 70E
TV STAND

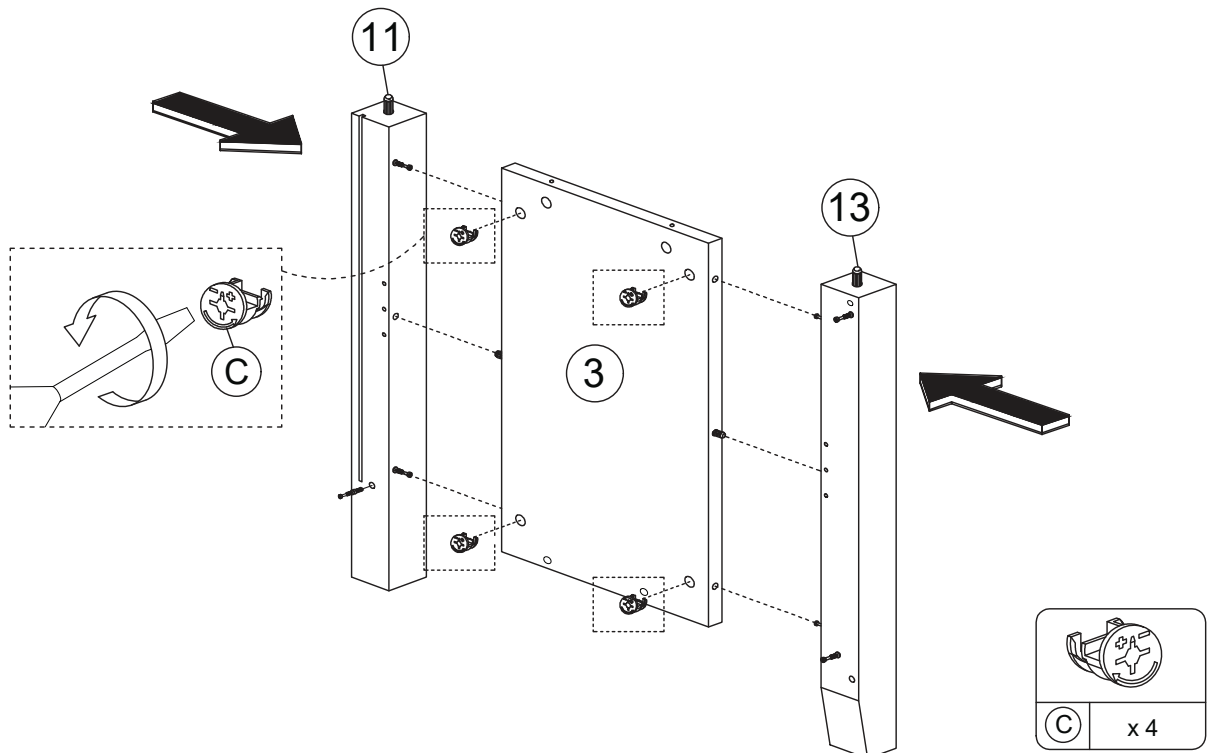
STEP 3:



Use a Screwdriver to tighten the cam nuts.
A quarter turn clockwise is all that is needed.



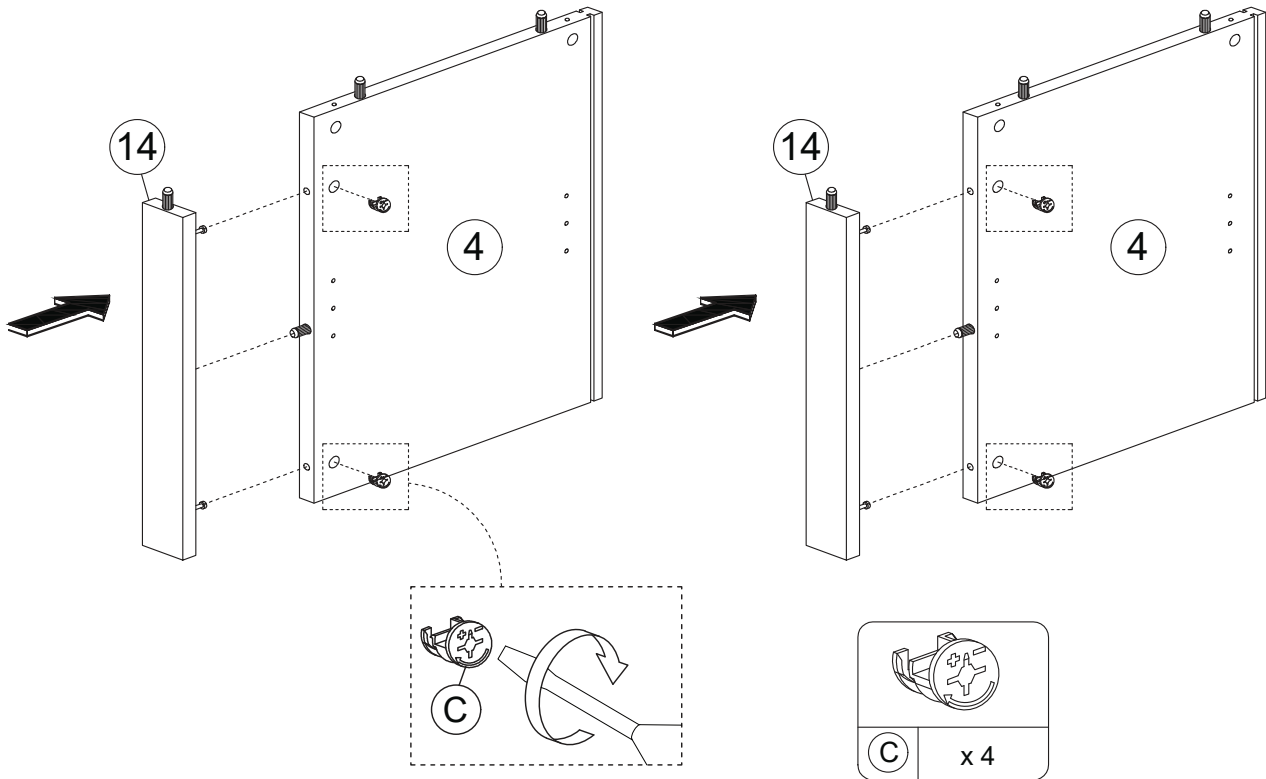
STEP 4:



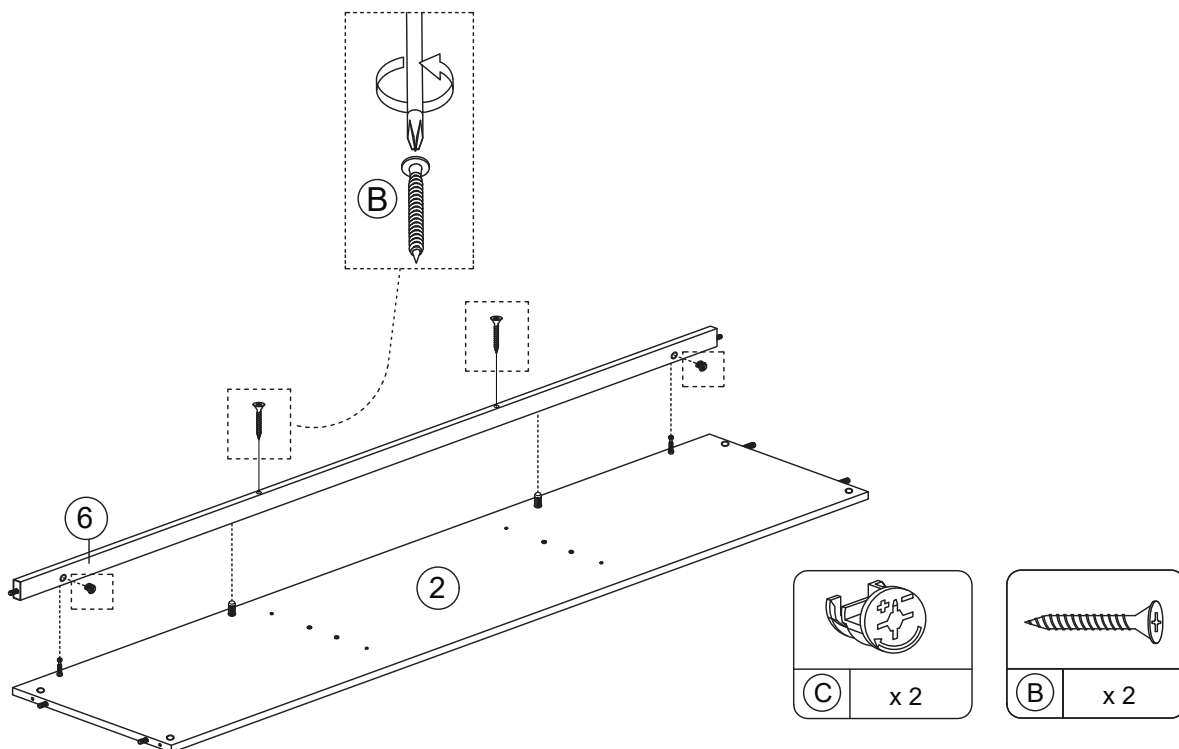
ASSEMBLY INSTRUCTIONS

ITEM NO.: I301-70G / 70R / 70E
TV STAND

STEP 5:



STEP 6:



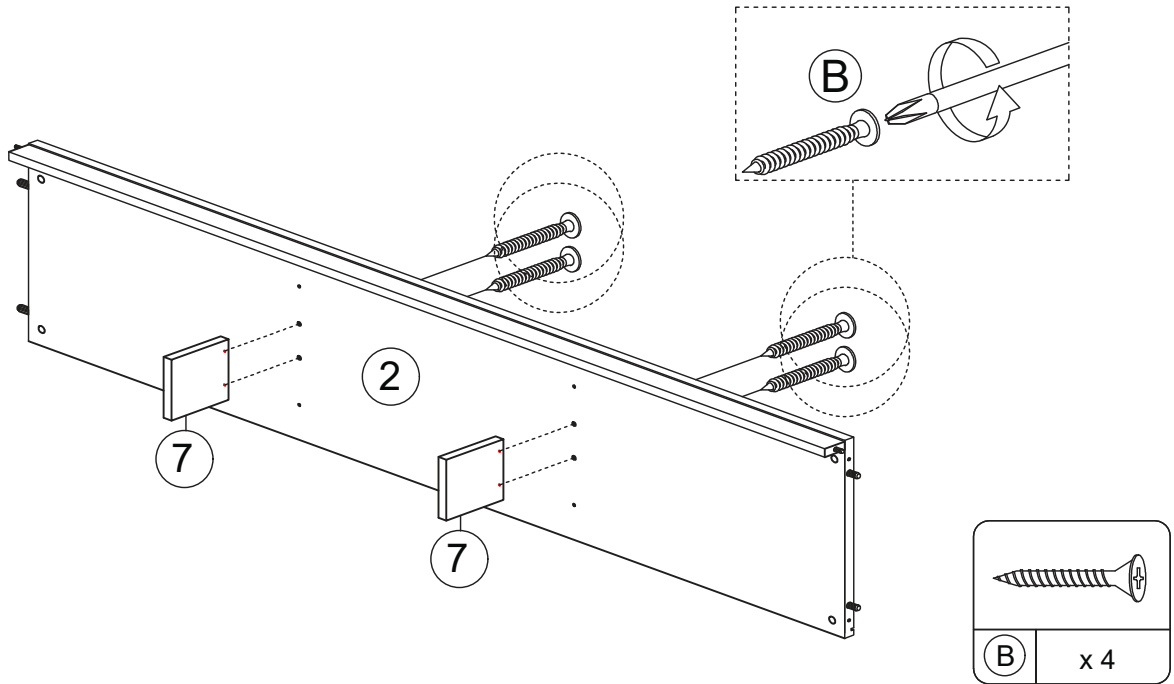
Cleaning instruction: Clean using soft cloth

Made in Malaysia

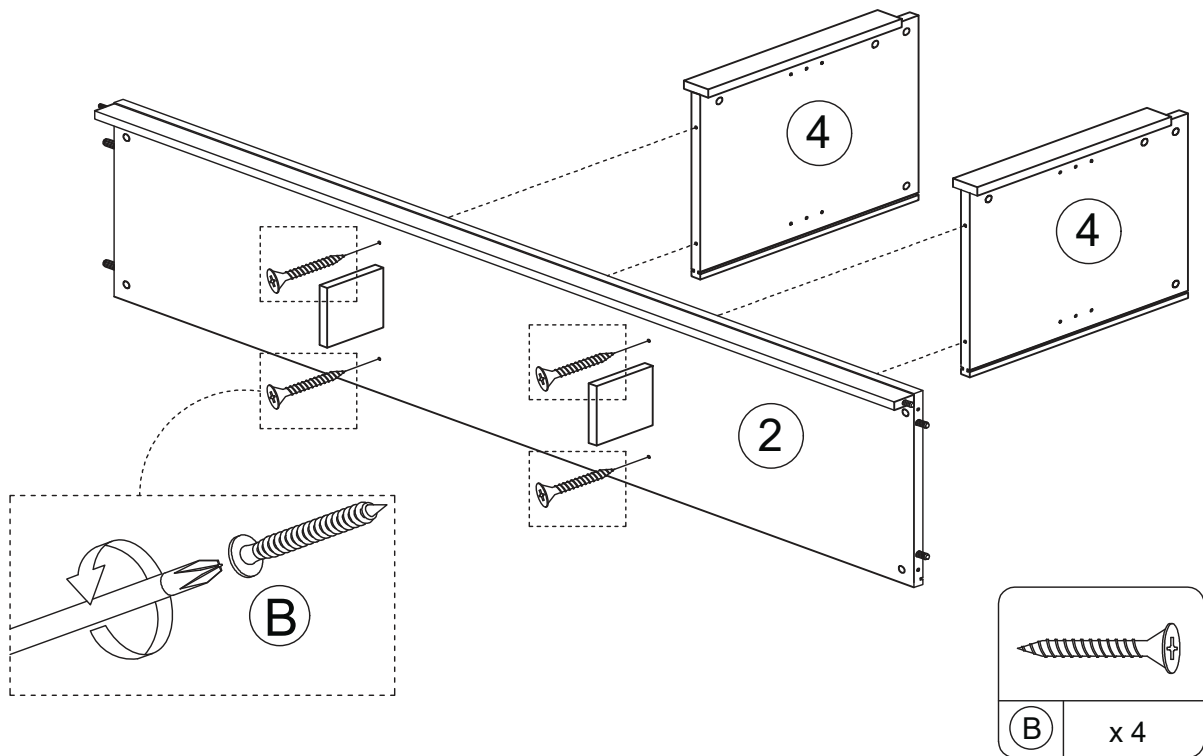
ASSEMBLY INSTRUCTIONS

ITEM NO.: I301-70G / 70R / 70E
TV STAND

STEP 7:



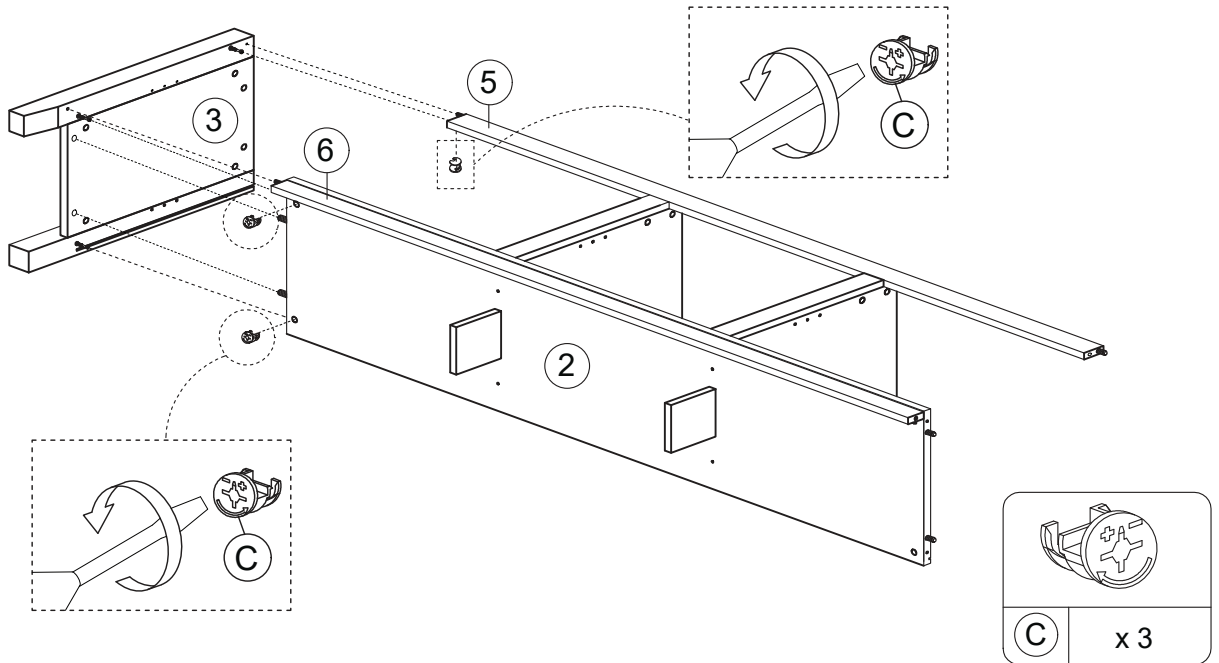
STEP 8:



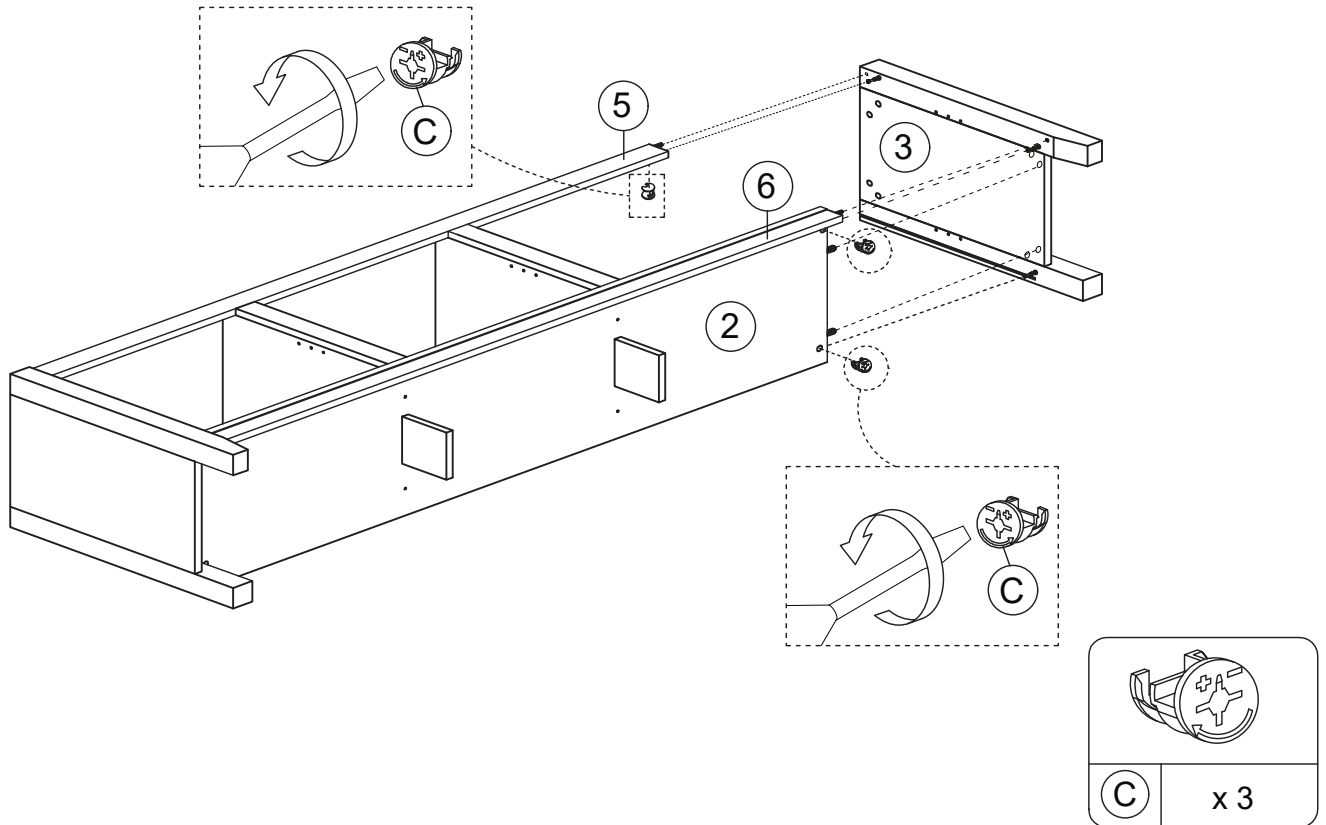
ASSEMBLY INSTRUCTIONS

ITEM NO.: I301-70G / 70R / 70E
TV STAND

STEP 9:



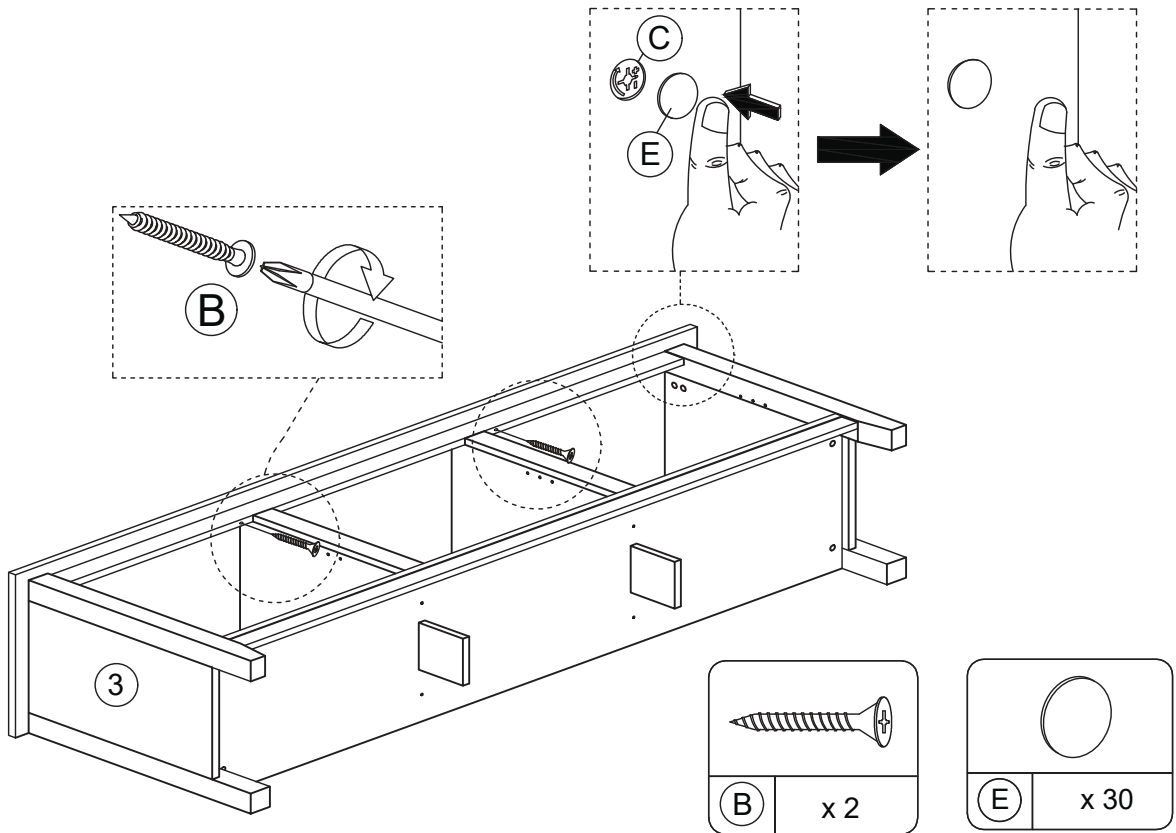
STEP 10:



ASSEMBLY INSTRUCTIONS

ITEM NO.: I301-70G / 70R / 70E
TV STAND

STEP 13:



STEP 14:

